
HDMI 4x4 Matrix Switch 1.3b

Quick Start Guide

English



SK-38044

1. Introduction

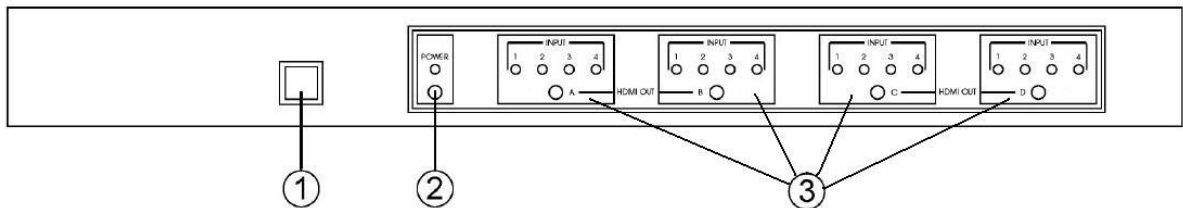
Thank you for purchasing the NEW HDMI 4 x 4 Matrix Switch 1.3b with remote control. This high performance switch offers you the maximum convenience in HDMI signal distribution when you have multiple HDMI sources and displays to connect together. Each of the four HDMI sources can be directed to any one of the four HDMI displays, so your displays can show four different sources at the same time. When the HDMI signal is progressed through the switch it is retimed and level compensated, so that the output is a regenerated HDMI signal that can travel another 25 metres. The switch can also be cascaded to multiple levels.

2. Features

- HDMI 1.3b, HDCP 1.1 and DVI 1.0 Compliant
- HDMI input is compensated, clock / phase adjusted and jitter eliminated so the output is a new standard HDMI signal
- Input source LED indicators
- Ideal for home theatre integration, conference room and retail stores
- Supports high resolution input/output
- Supports a wide range of PC and HDTV resolutions from VGA to UXGA and 480i to 1080p
- RS-232 control
- IR remote control

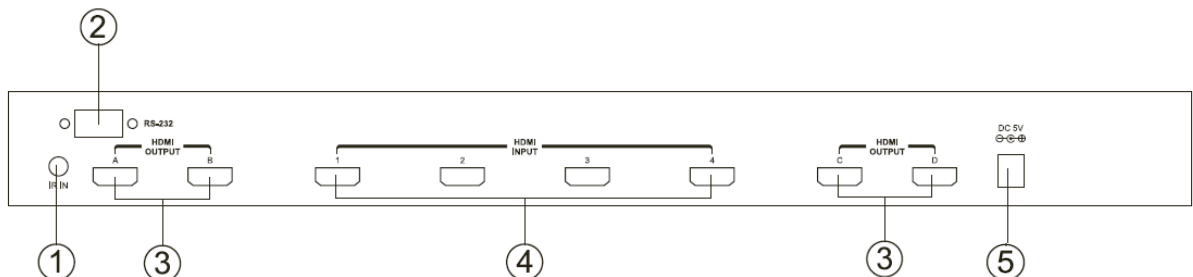
3. Operation Control

Front Panel



1. Remote control sensor
2. Power switch and LED indicator (LED will illuminate when power is turned on)
3. Input select/Indicators:
Press the HDMI out A, B, C or D buttons repeatedly to switch to your desired source, and the LED will illuminate to indicate which input source is selected and routed to the appropriate display.

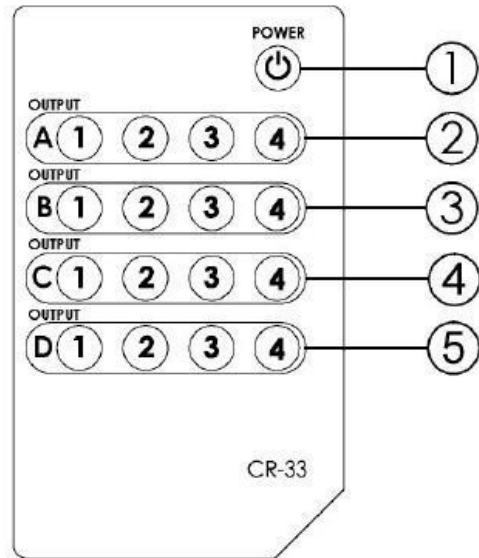
Rear Panel



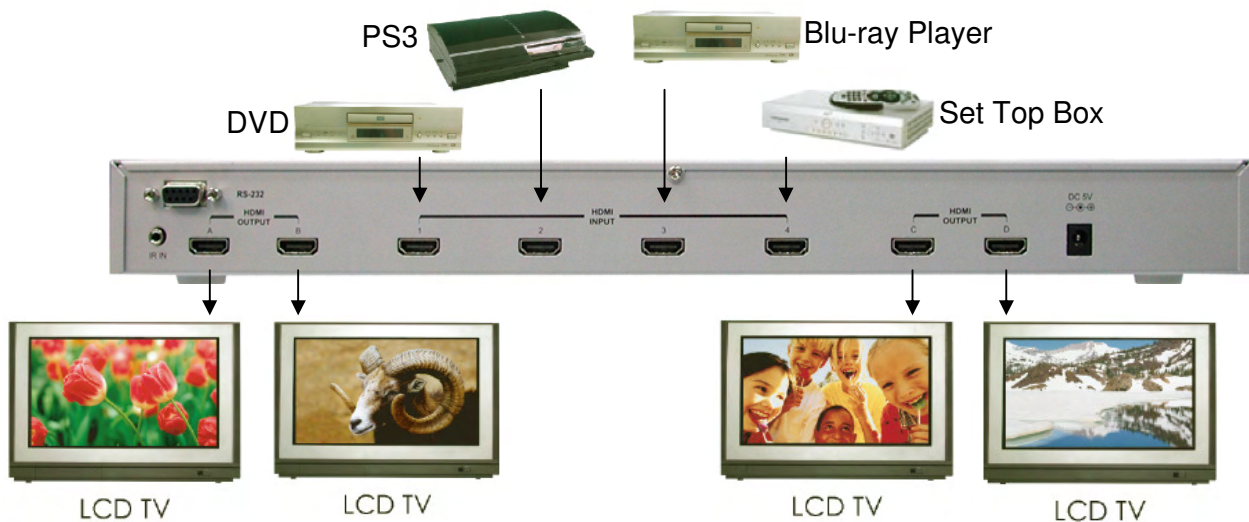
1. IR in socket:
Plug the optional IR extender in to the socket for IR extension control
2. RS-232 Communication port:
Connect to the COM port of your PC for control over the RS-232 channel
3. HDMI Outputs:
Connect each of these outputs to the HDMI inputs of your display
4. HDMI Inputs:
Connect your HDMI sources such as DVD player or set top box to these inputs
5. Power:
Plug the 5VDC power supply into the unit and connect the PSU to the wall outlet

4. Remote Control

1. Power:
Turn the unit on/off
2. Input select for HDMI out A:
Press 1,2,3 or 4 to select the desired input to be displayed
3. Input select for HDMI out B:
Press 1,2,3 or 4 to select the desired input to be displayed
4. Input select for HDMI out C:
Press 1,2,3 or 4 to select the desired input to be displayed
5. Input select for HDMI out D:
Press 1,2,3 or 4 to select the desired input to be displayed



5. Connection & Installation



6. RS-232 Control Protocol

Pins definition of modem cable

4x4 HDMI Matrix			Remote Controller	
PIN	Definition		PIN	Definition
1	NC		1	NC
2	TxD	→	2	RxD
3	RxD		3	TxD
4	NC		4	NC
5	GND	←	5	GND
6	NC		6	NC
7	NC		7	NC
8	NC		8	NC
9	NC		9	NC

- RS-232 transmission format:
- Baud Rate: 9600bps
- Data Bit: 8 bits
- Parity: None
- Stop Bit: 1 bit

CE Statement

This device complies with the European Regulations for Electromagnetic Compatibility (EMC) of the European Union and it is equipped with the CE mark. This unit has to be used with high quality shielded connection cables. Only if these high quality shielded cables are used it can be sure that the EMC compatibility is not adversely influenced.

FCC Statement

Shielded cables must be used with this equipment to maintain compliance with radio frequency energy emission regulations and ensure a suitably high level of immunity to electromagnetic disturbances.

FCC Warning

This equipment has been tested and found to comply with the limits for a Class B Digital device, pursuant to part 15 of the FCC Rules. These limits are designed to provide reasonable protection against harmful interference in a residential installation. This equipment generates, uses, and can radiate radio frequency energy and, if not installed and used in accordance with the instructions, may cause harmful interference to radio communications. However, there is no guarantee that interference will not occur in a particular installation. If this equipment does cause harmful interference to radio or television reception, which can be determined by turning the equipment off and on, the user is encouraged to try to correct the interference by one or more of the following measures:

- Reorient or relocate the receiving antenna
- Increase the separation between the equipment and receiver
- Connect the equipment into an outlet on a circuit different from that to which the receiver is connected
- Consult the dealer or an experienced technician for help

You are cautioned that changes or modifications not expressly approved by the party responsible for compliance could void your authority to operate the equipment.



**WEEE (Waste of Electrical and Electronic Equipment),
Recycling of Electronic Products**

United Kingdom

In 2006 the European Union introduced regulations (WEEE) for the collection and recycling of all waste electrical and electronic equipment. It is no longer allowable to simply throw away electrical and electronic equipment. Instead, these products must enter the recycling process.

Each individual EU member state has implemented the WEEE regulations into national law in slightly different ways. Please follow your national law when you want to dispose of any electrical or electronic products.

No. SK-38044

